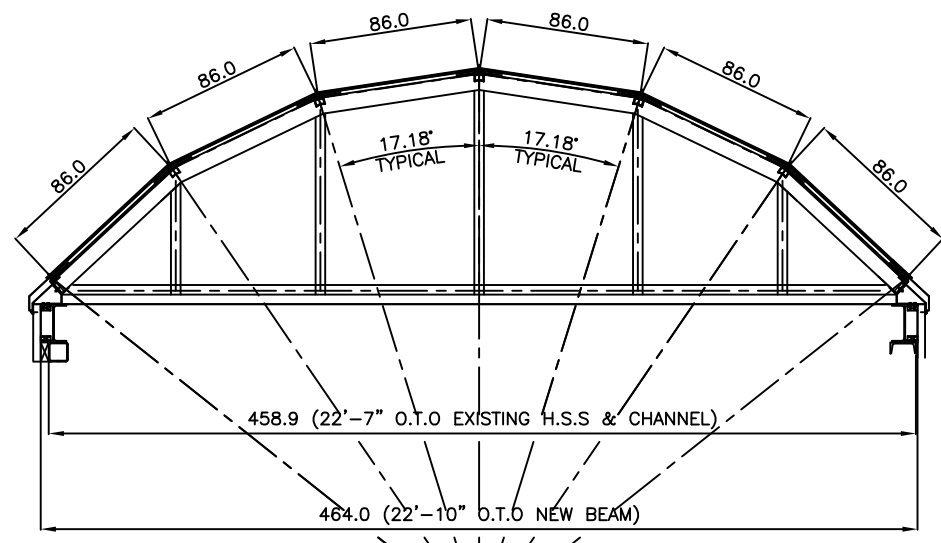
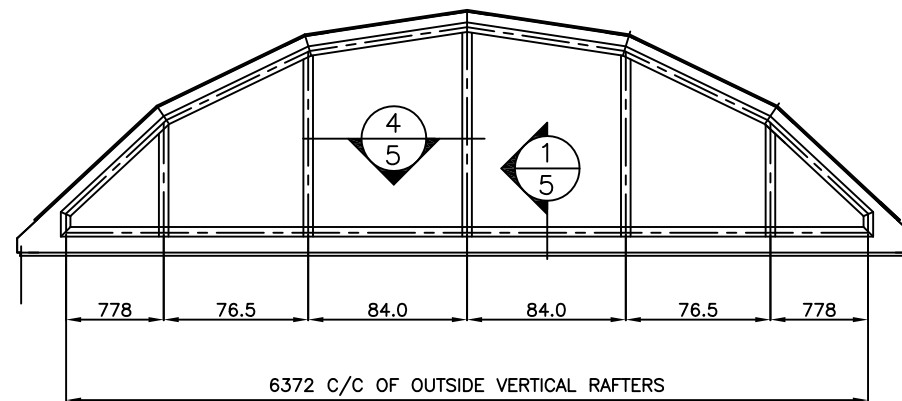


ROOF PLAN




1/2 SECTION THRU SKYLIGHT



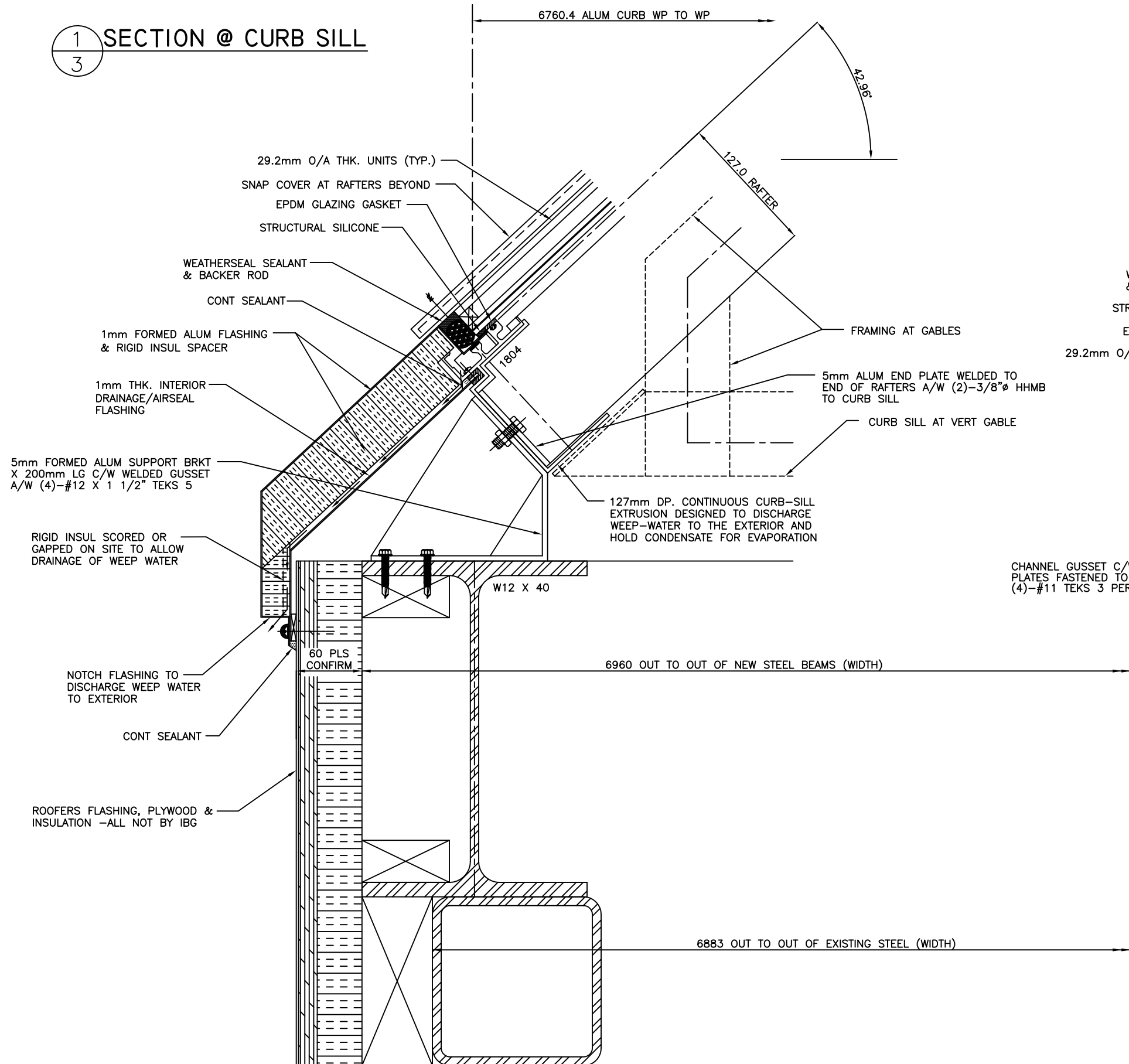
ELEVATION @ GABLES -(2 REQ'D)

STRUCT'L STEEL (NOT BY IBG) TO HAVE SUFFICIENT STRENGTH & RIGIDITY TO WITHSTAND THE FORCES EXERTED BY SKYLIGHTS

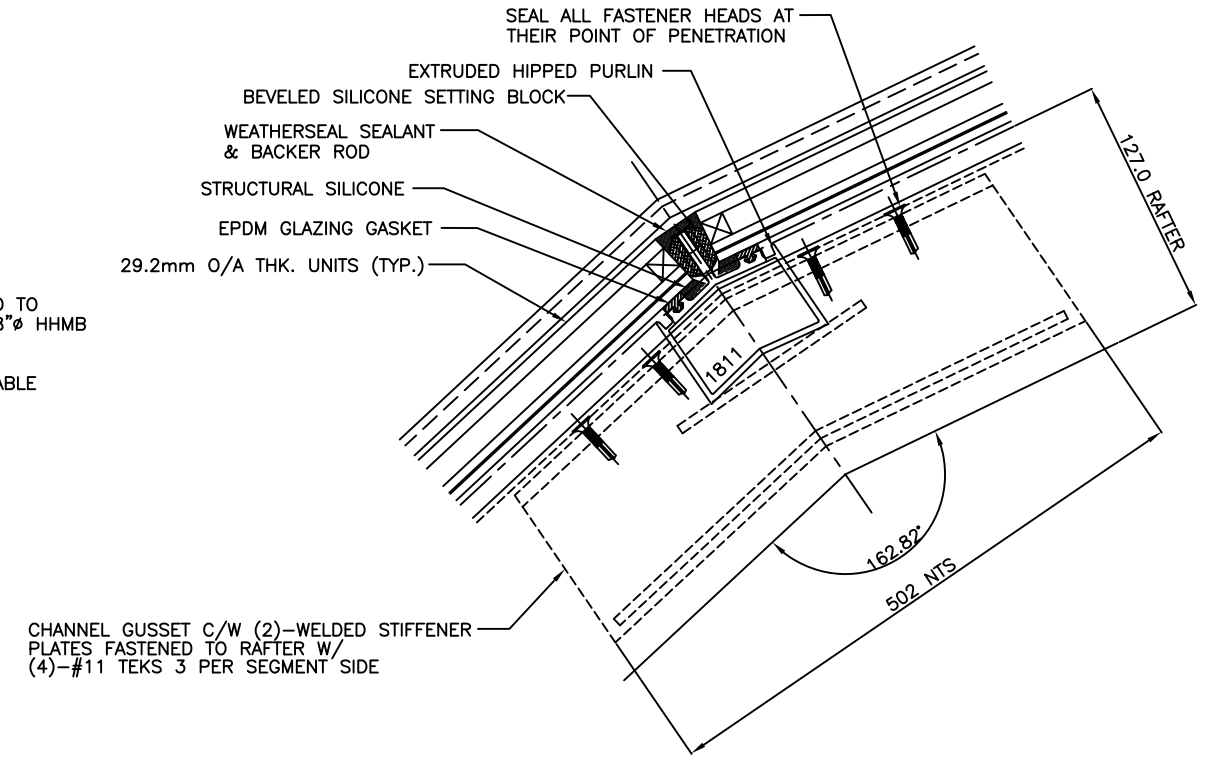
CONTRACTOR TO VERIFY OR SUPPLY ALL DIMENSIONS RELATING TO SKYLIGHTS SO FIRM FABRICATION GEOMETRY CAN BE ESTABLISHED

DATE:	REVISION	BY:
<small>ALL DRAWINGS, DESIGNS, SPECIFICATIONS AND COPIES FURNISHED BY IBG CANADA LTD. ARE AND SHALL REMAIN AS ITS EXCLUSIVE PROPERTY AND ARE NOT TO BE USED ON ANY OTHER PROJECT OR REPRODUCED, COPIED, ALTERED AND MODIFIED IN WHOLE OR IN PART AND FOR WHATEVER PURPOSE INTENDED WITHOUT THE WRITTEN CONSENT OF THE OWNER (IBG CANADA LTD.). THEY ARE TO BE RETURNED TO IBG CANADA LTD. UPON REQUEST OR UPON THE COMPLETION OF THE PROJECT.</small>		
		4278 Bartlett Road Beamsville, Ontario L0R-1B1 <b>IBG CANADA LTD.</b> Phone #: (905) 563-8276 <i>Advanced Glazed Structure Specialists</i> Fax #: (905) 563-8011
<small>IBG CANADA LTD. ASSUMES NO RESPONSIBILITY AS TO MEASUREMENTS OR DETAIL AFFECTING ANY WORK BUT ITS OWN AND IS NOT RESPONSIBLE FOR ANY ERRORS OCCURRING THROUGH THE USE OF THESE DRAWINGS BY OTHER PARTIES.</small>		
PROJECT	PROJECT	
LOCATION	LOCATION	
ARCHITECT	ARCHITECT	
CUSTOMER	CUSTOMER	
DESCRIPTION ROOF PLAN & SECTION		
DATE: DATE	DRAWN BY: N/A	IBG PROJ. # PROJ. #
SCALE: 1:30	CHECKED BY:	DWG No. 1

1 SECTION @ CURB SILL  
3

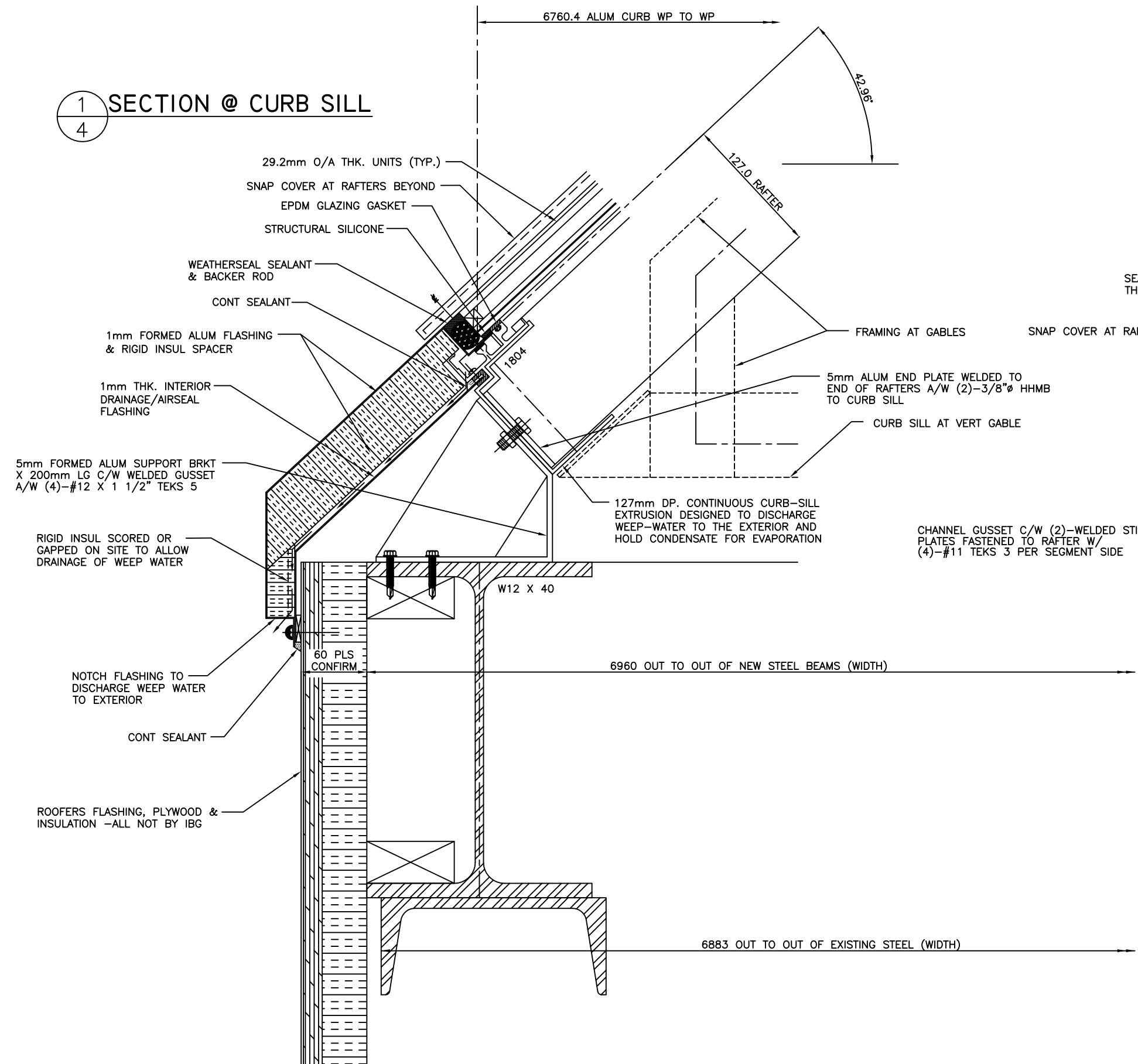


2 SECT THRU MID PURLIN  
3

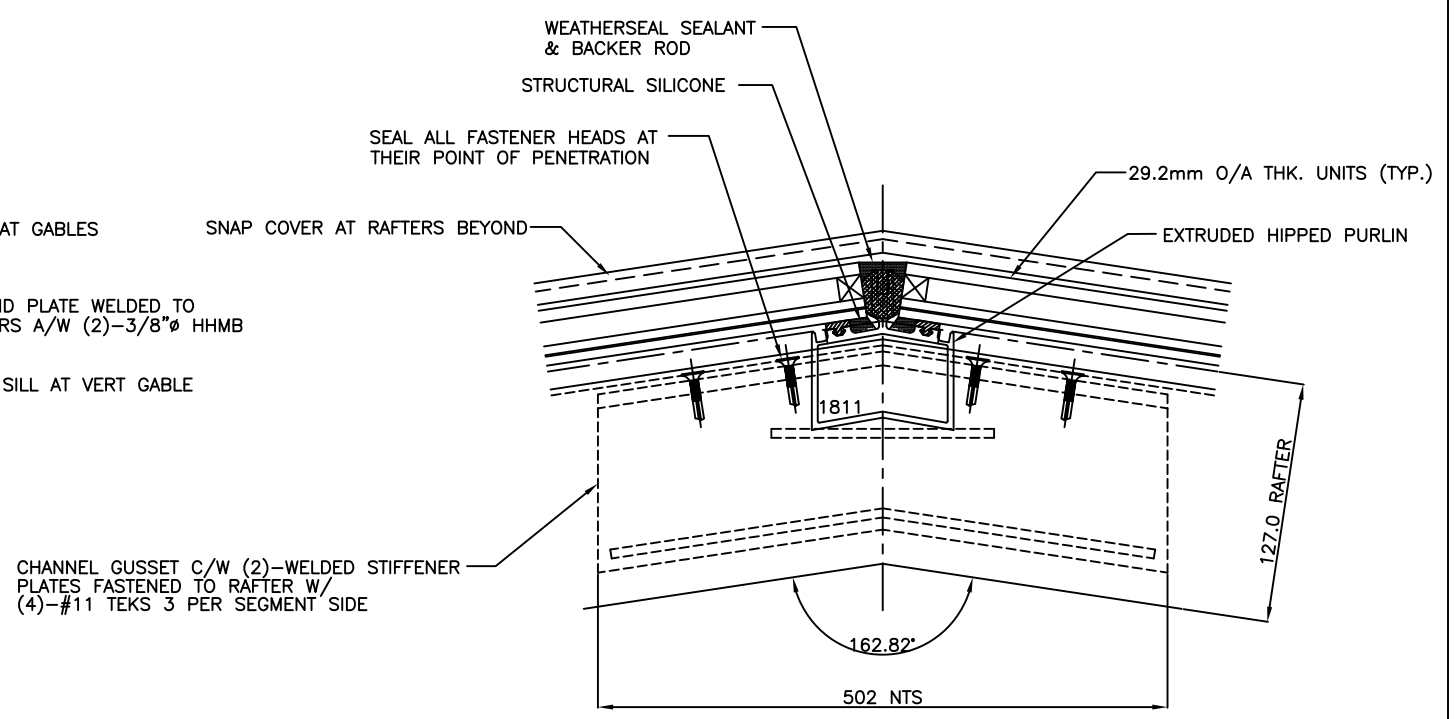


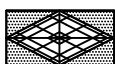
DATE:	REVISION:	BY:
<p>ALL DRAWINGS, DESIGNS, SPECIFICATIONS AND COPIES FURNISHED BY IBG CANADA LTD. ARE AND SHALL REMAIN AS ITS EXCLUSIVE PROPERTY AND ARE NOT TO BE USED ON ANY OTHER PROJECT OR REPRODUCED, COPIED, ALTERED AND MODIFIED IN WHOLE OR IN PART AND FOR WHATEVER PURPOSE INTENDED WITHOUT THE WRITTEN CONSENT OF THE OWNER (IBG CANADA LTD.). THEY ARE TO BE RETURNED TO IBG CANADA LTD. UPON REQUEST OR UPON THE COMPLETION OF THE PROJECT.</p>		
<p>4276 Bartlett Road Beamsville, Ontario L0R-1B1 <b>I.B.G. CANADA LTD.</b> Phone #: (905) 563-8276 Advanced Glazed Structure Specialists Fax #: (905) 563-8011</p>		
<p>IBG CANADA LTD. ASSUMES NO RESPONSIBILITY AS TO MEASUREMENTS OR DETAIL AFFECTING ANY WORK BUT ITS OWN AND IS NOT RESPONSIBLE FOR ANY ERRORS OCCURRING THROUGH THE USE OF THESE DRAWINGS BY OTHER PARTIES.</p>		
PROJECT	PROJECT	
LOCATION	LOCATION	
ARCHITECT	ARCHITECT	
CUSTOMER	CUSTOMER	
DESCRIPTION	DETAILS	
DATE:	DRAWN BY: N/A	IBG PROJ. # PROJ. #
SCALE: 1:2	CHECKED BY:	DWG No. 2

1 SECTION @ CURB SILL  
4



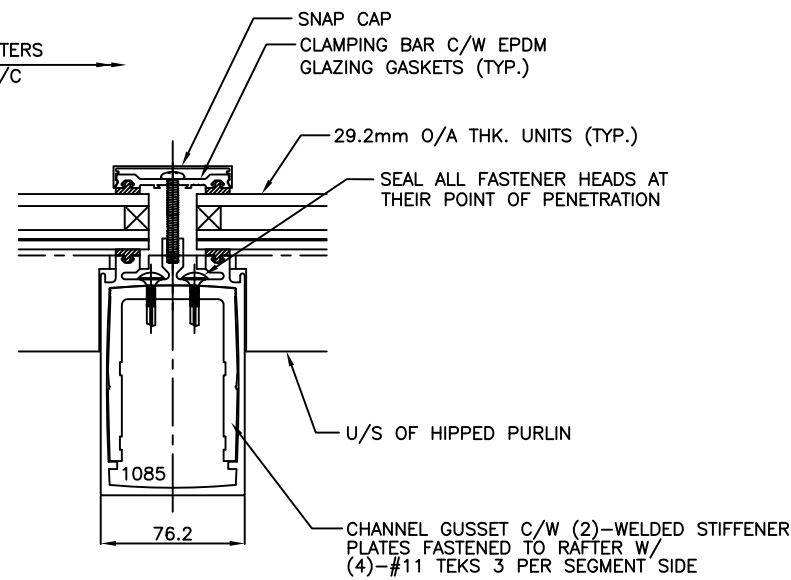
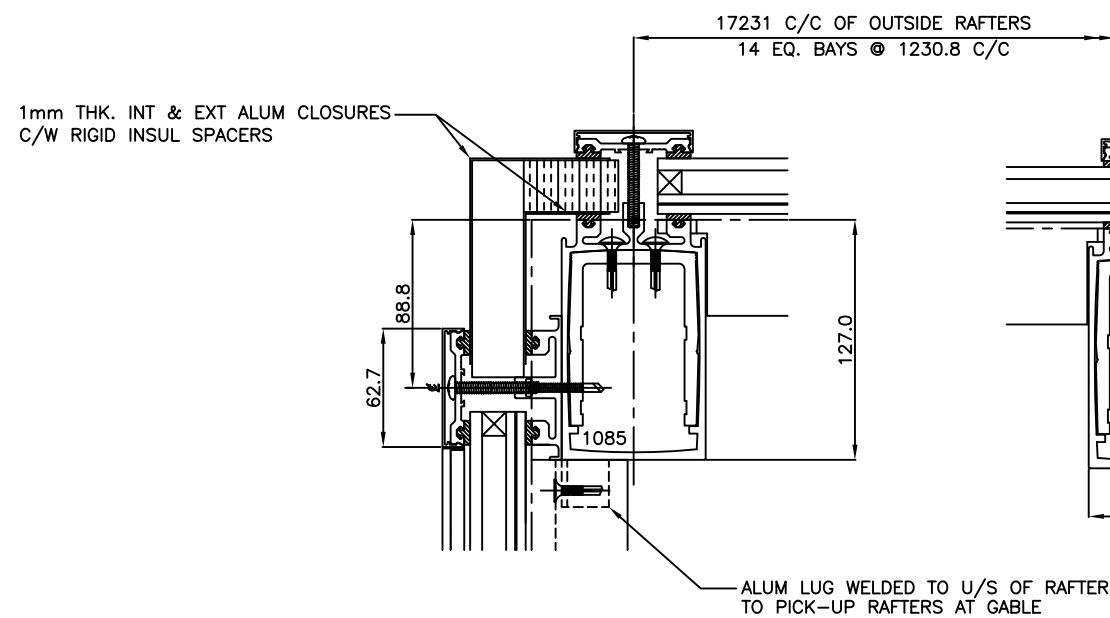
2 SECT THRU PEAK PURLIN  
4



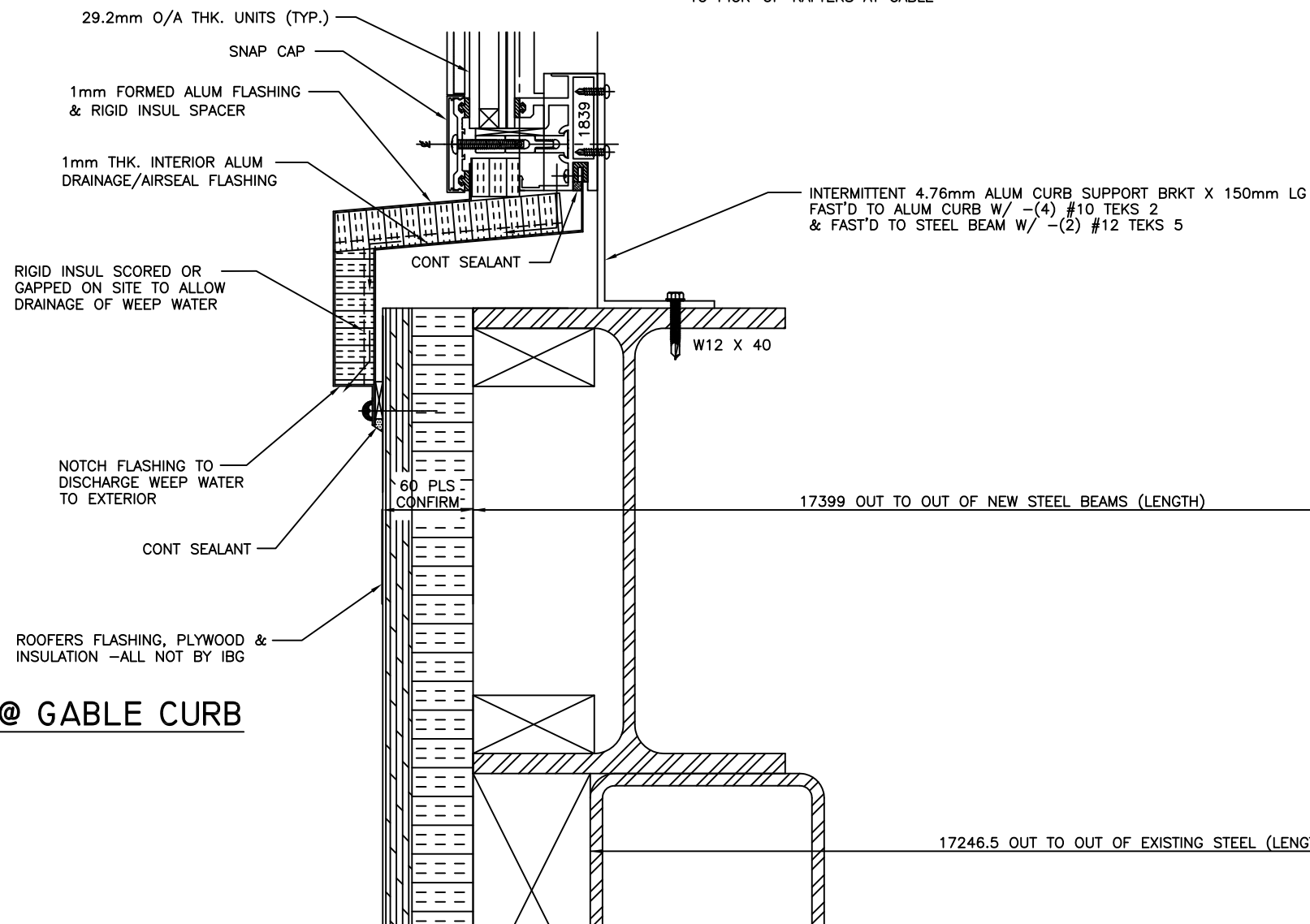
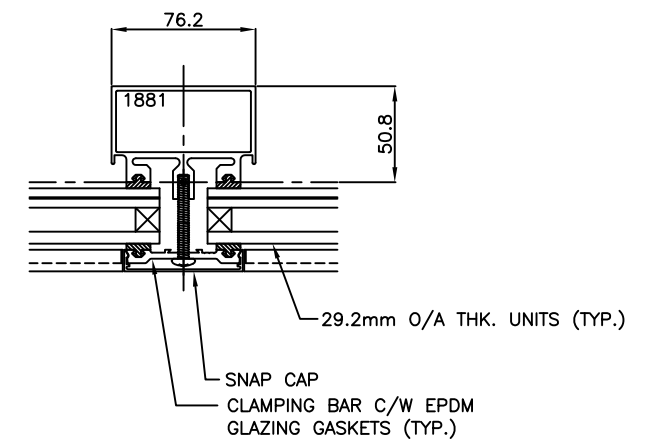
DATE:	REVISION	BY:
<p>ALL DRAWINGS, DESIGNS, SPECIFICATIONS AND COPIES FURNISHED BY I.B.G. CANADA LTD. ARE AND SHALL REMAIN AS ITS EXCLUSIVE PROPERTY AND ARE NOT TO BE USED ON ANY OTHER PROJECT OR REPRODUCED, COPIED, ALTERED AND MODIFIED IN WHOLE OR IN PART AND FOR WHATEVER PURPOSE INTENDED WITHOUT THE WRITTEN CONSENT OF THE OWNER (I.B.G. CANADA LTD.). THEY ARE TO BE RETURNED TO I.B.G. CANADA LTD. UPON REQUEST OR UPON THE COMPLETION OF THE PROJECT.</p>		
		
<p>4278 Bartlett Road Beamsville, Ontario L0R-1B1 <b>I.B.G. CANADA LTD.</b> Phone #: (905) 563-8276 Advanced Glass Structure Specialists Fax #: (905) 563-8011</p>		
<p>IBG CANADA LTD. ASSUMES NO RESPONSIBILITY AS TO MEASUREMENTS OR DETAIL AFFECTING ANY WORK BUT ITS OWN AND IS NOT RESPONSIBLE FOR ANY ERRORS OCCURRING THROUGH THE USE OF THESE DRAWINGS BY OTHER PARTIES.</p>		
PROJECT	PROJECT	
LOCATION	LOCATION	
ARCHITECT	ARCHITECT	
CUSTOMER	CUSTOMER	
DESCRIPTION	DETAILS	
DATE:	DRAWN BY: N/A	IBG PROJ. # PROJ. #
SCALE: 1:2	CHECKED BY:	DWG No. 3

2 SECTION @ TRANSITION  
5

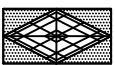
3 SECT @ MID RAFTER  
5



4 SECT THRU GABLE RAFTER  
5



1 SECT @ GABLE CURB  
5

DATE:	REVISION	BY:
<p>ALL DRAWINGS, DESIGNS, SPECIFICATIONS AND COPIES FURNISHED BY I.B.G. CANADA LTD. ARE AND SHALL REMAIN AS ITS EXCLUSIVE PROPERTY AND ARE NOT TO BE USED ON ANY OTHER PROJECT OR REPRODUCED, COPIED, ALTERED AND MODIFIED IN WHOLE OR IN PART AND FOR WHATEVER PURPOSE INTENDED WITHOUT THE WRITTEN CONSENT OF THE OWNER (I.B.G. CANADA LTD.). THEY ARE TO BE RETURNED TO I.B.G. CANADA LTD. UPON REQUEST OR UPON THE COMPLETION OF THE PROJECT.</p>		
 <p>4278 Bartlett Road Beamsville, Ontario L0R-1B1 <b>I.B.G. CANADA LTD.</b> Phone #: (905) 563-8276 Advanced Glazed Structure Specialists Fax #: (905) 563-8011</p>		
<p>IBG CANADA LTD. ASSUMES NO RESPONSIBILITY AS TO MEASUREMENTS OR DETAIL AFFECTING ANY WORK BUT ITS OWN AND IS NOT RESPONSIBLE FOR ANY ERRORS OCCURRING THROUGH THE USE OF THESE DRAWINGS BY OTHER PARTIES.</p>		
PROJECT	PROJECT	
LOCATION	LOCATION	
ARCHITECT	ARCHITECT	
CUSTOMER	CUSTOMER	
DESCRIPTION	DETAILS	
DATE:	DATE	IBG PROJ. # PROJ. #
SCALE:	1:2	DWG No. 4